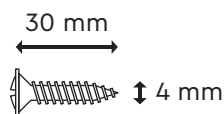
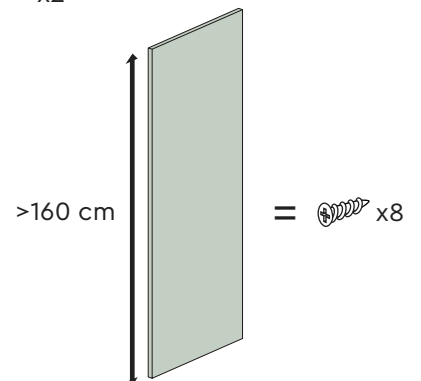
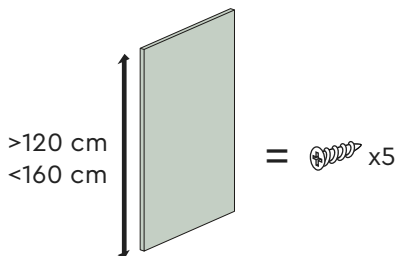
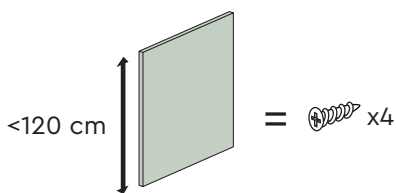
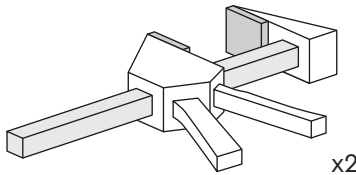
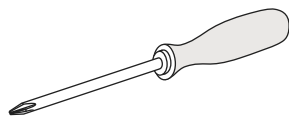
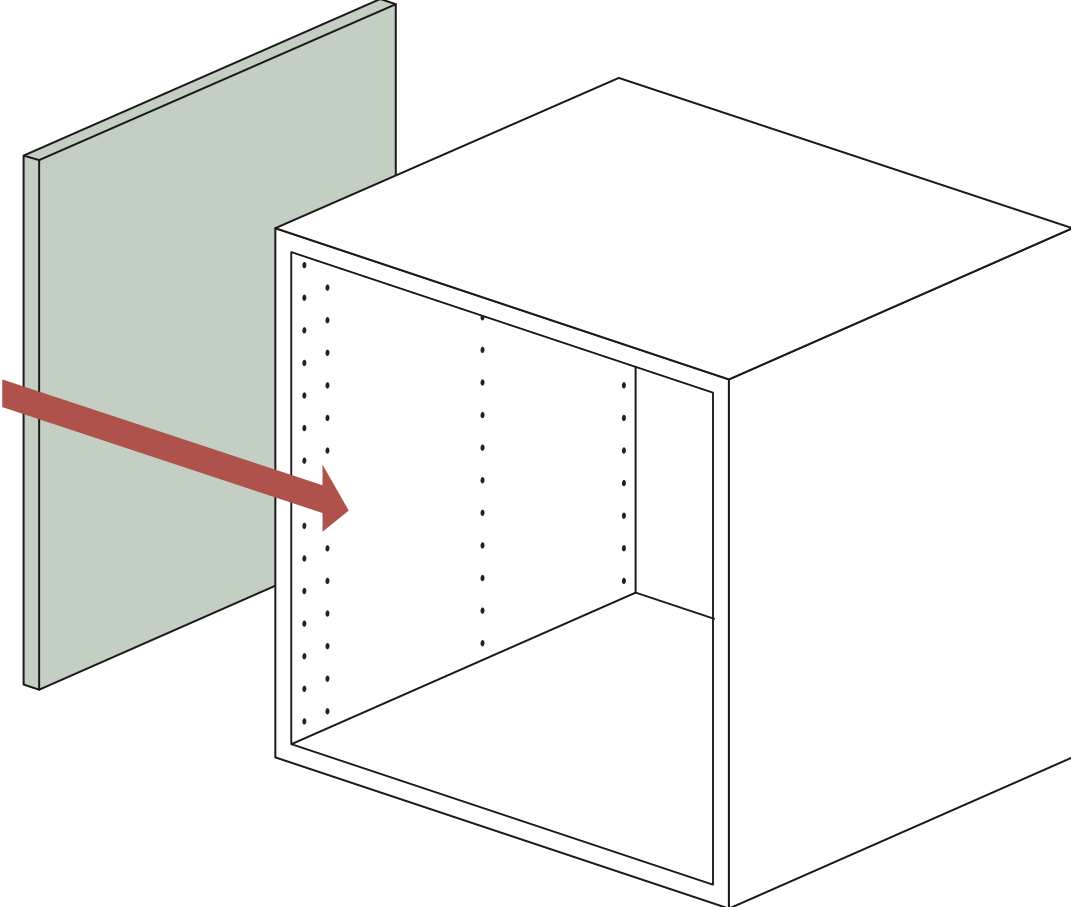
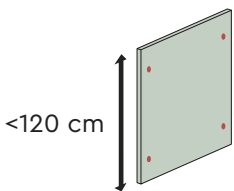
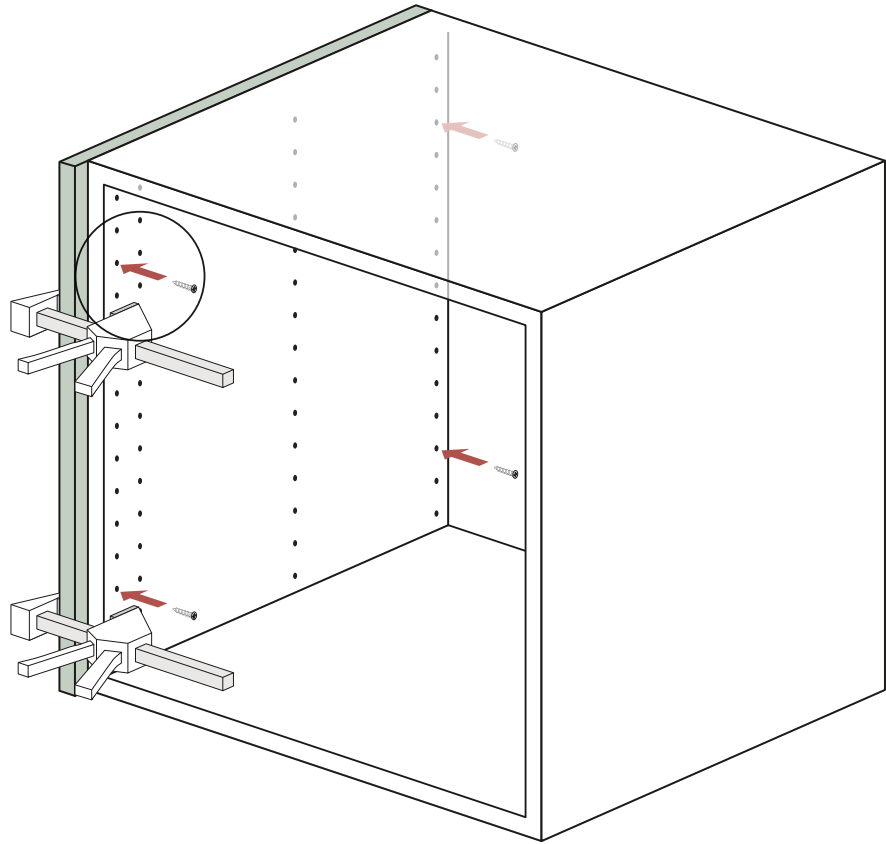
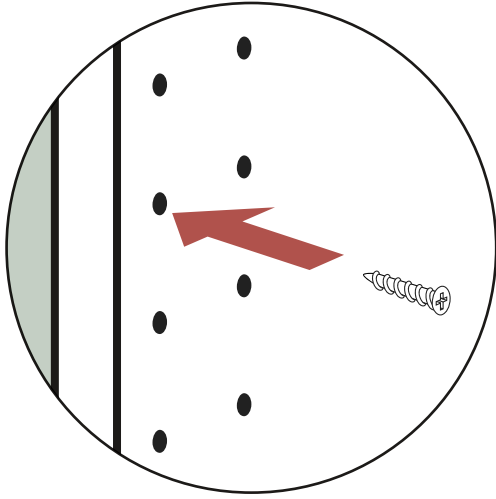


Panneau de finition

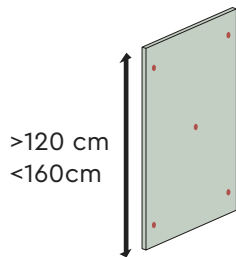
Panel
Deckseite



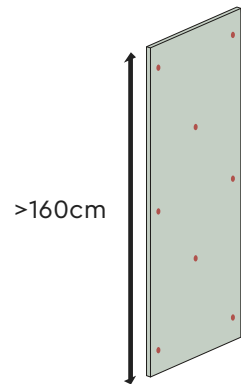




=  x4



=  x5



=  x8

